



# HYPERDRIVE™ MK2

## Performance Driving Light

Engineered for the relentless demands of professional drivers, setting the standard for reliability and confidence whilst operating in dark environments.

High quality components and the latest design and assembly methods allow the HyperDrive MK2 to deliver unparalleled light quality and projection performance.



7,495 Lumens



1,007m @ 1 Lux



Lifetime Warranty



IP Rating 69

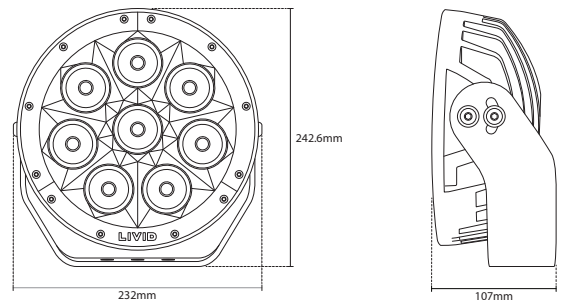


TIR Optical Lens

### SPECIFICATIONS

<b>No of LEDs</b>	8x 10 Watt XM-L2 CREE LEDs
<b>Luminous Flux</b>	7,495 Effective Lumens / Each
<b>Power Consumption</b>	80 Watts (7.6A @ 12V) / Each
<b>Voltage</b>	9 - 48V DC
<b>Operating Temp</b>	-40°C to +80°C
<b>IP Rating</b>	IP69 - Dust Proof & Water Submersible to 3m
<b>Vibration</b>	Vibration Dampened & Shock Proof to 10G
<b>Housing</b>	A360 Swiss Cast Aluminium
<b>Mounting Bracket</b>	5mm Stainless Steel
<b>Polarity</b>	Reverse Polarity Protection
<b>Weight</b>	3.95 kg / Each
<b>Lens</b>	3mm Bayer Makrolon UV Protected Lens
<b>Connector</b>	2-pin Waterproof Deutsch® Connector
<b>Lifespan</b>	50,000 Hours
<b>Colour Temp</b>	5,500 Kelvin

### DIMENSIONS



### ISOLUX

